

Bowser Mfg.
 PO Box 322
 1302 Jordan Ave
 Montoursville PA 17754

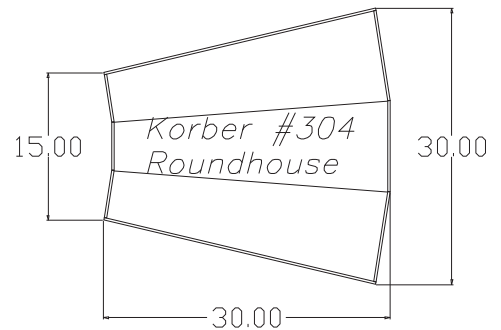
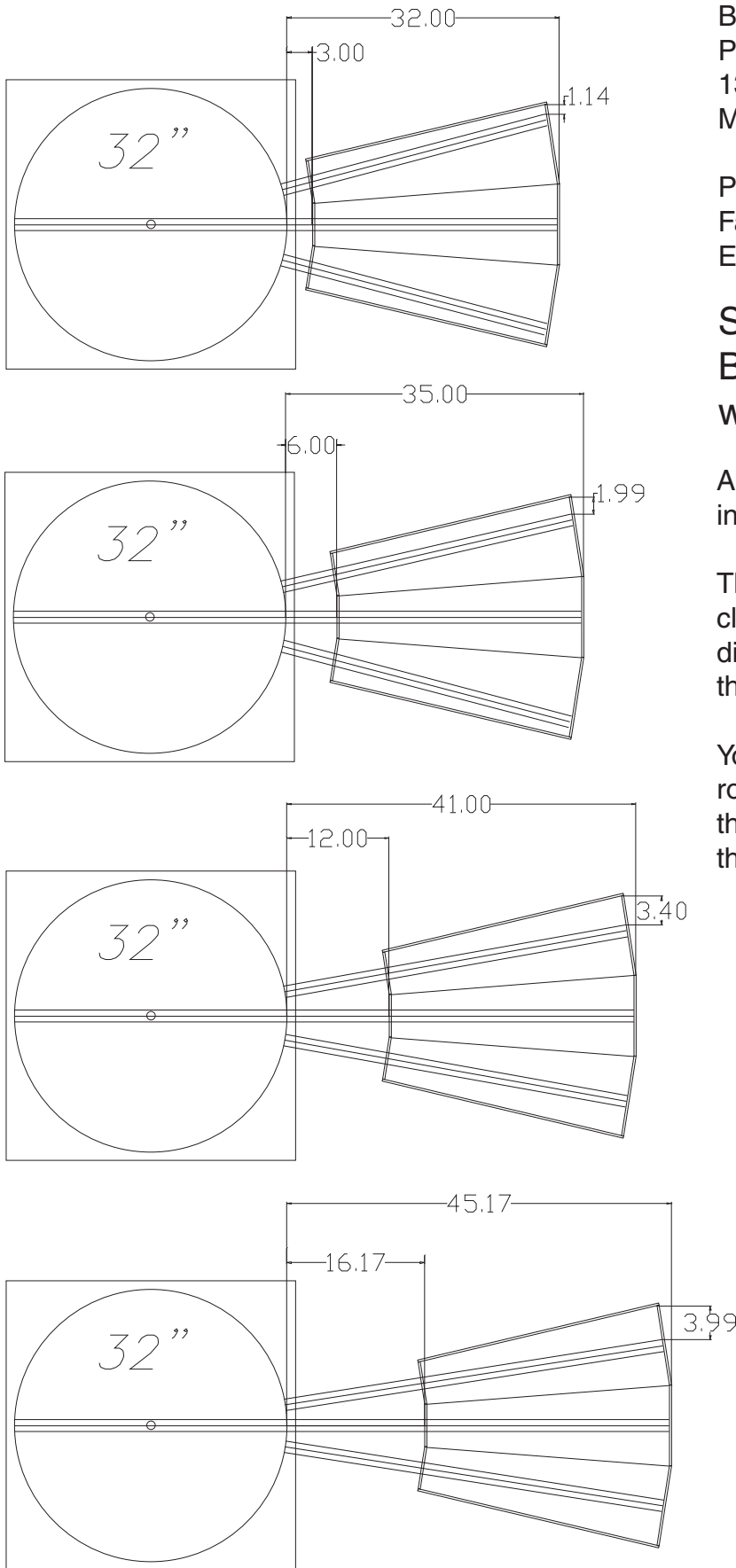
Phone: 570-368-2379
 Fax 570-368-5046
 Email: bowser@bowser-trains.com

**Space requirements for
 Bowser 32" Turntable
 with Korber #304 Roundhouse.**

All tracks should enter the roundhouse
 in the center of the stall door.

These drawings show how the tracks get
 closer to the side wall as you reduce the
 distance between the turntable and
 the roundhouse.

You can use flex track inside of the
 roundhouse. Enter the roundhouse
 in the center of the stall door and then bend
 the track a little to clear the side walls.



All dimensions are in inches

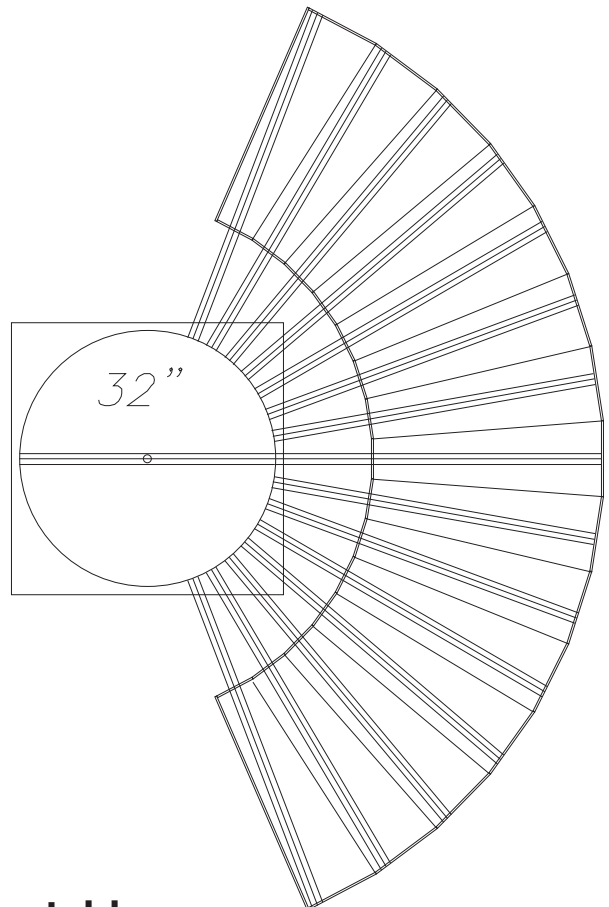
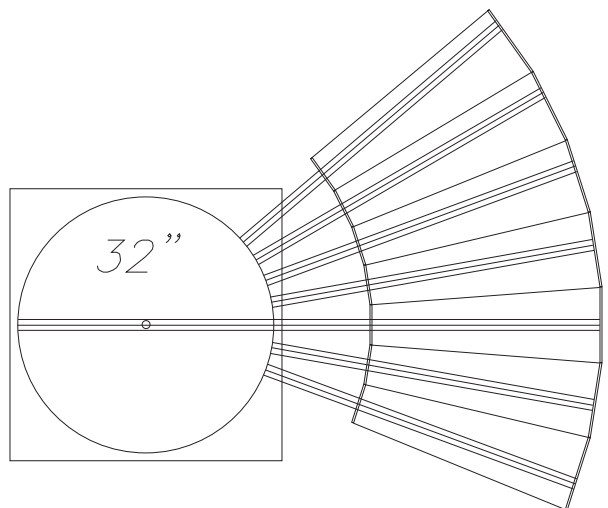
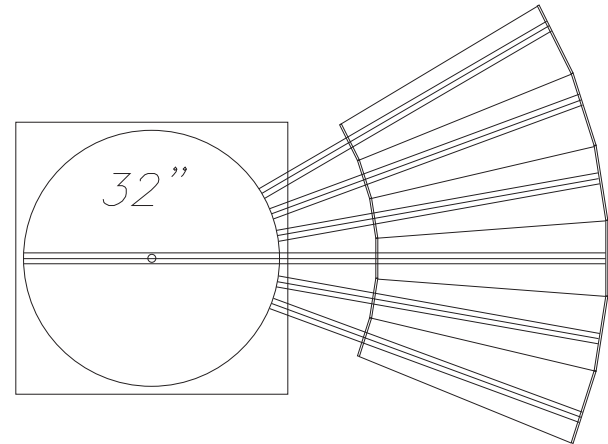
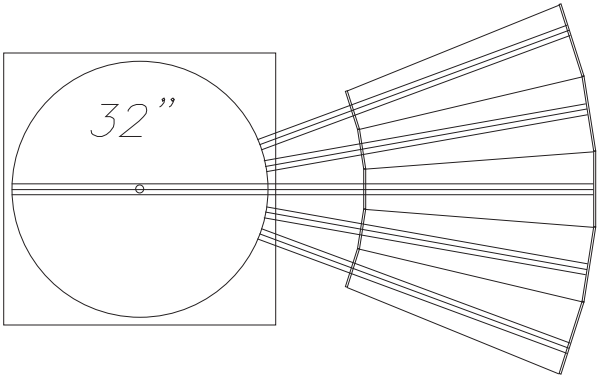
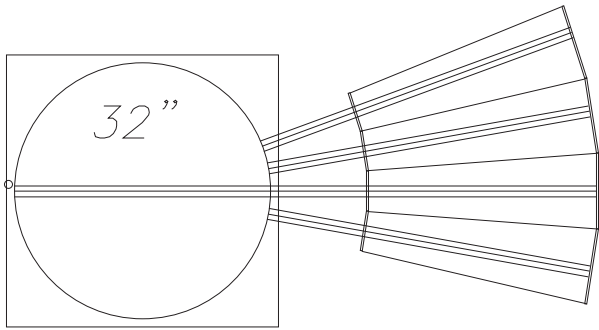
Bowser Mfg.
PO Box 322
1302 Jordan Ave
Montoursville PA 17754
Phone: 570-368-2379
Fax 570-368-5046
Email: bowser@bowser-trains.com

Space requirements for Bowser 32" Turntable with Korber #304 Roundhouse.

All tracks should enter the roundhouse
in the center of the stall door.

These drawings show different stalls configurations.
The distance between the turntable and the
roundhouse is 12".

You can use flex track inside of the
roundhouse. Enter the roundhouse in
the center of the stall door and then bend
the track a little to clear the side walls.



12" Between roundhouse and turntable

Bowser Mfg.
PO Box 322
1302 Jordan Ave
Montoursville PA 17754

Phone: 570-368-2379
Fax 570-368-5046
Email: bowser@bowser-trains.com

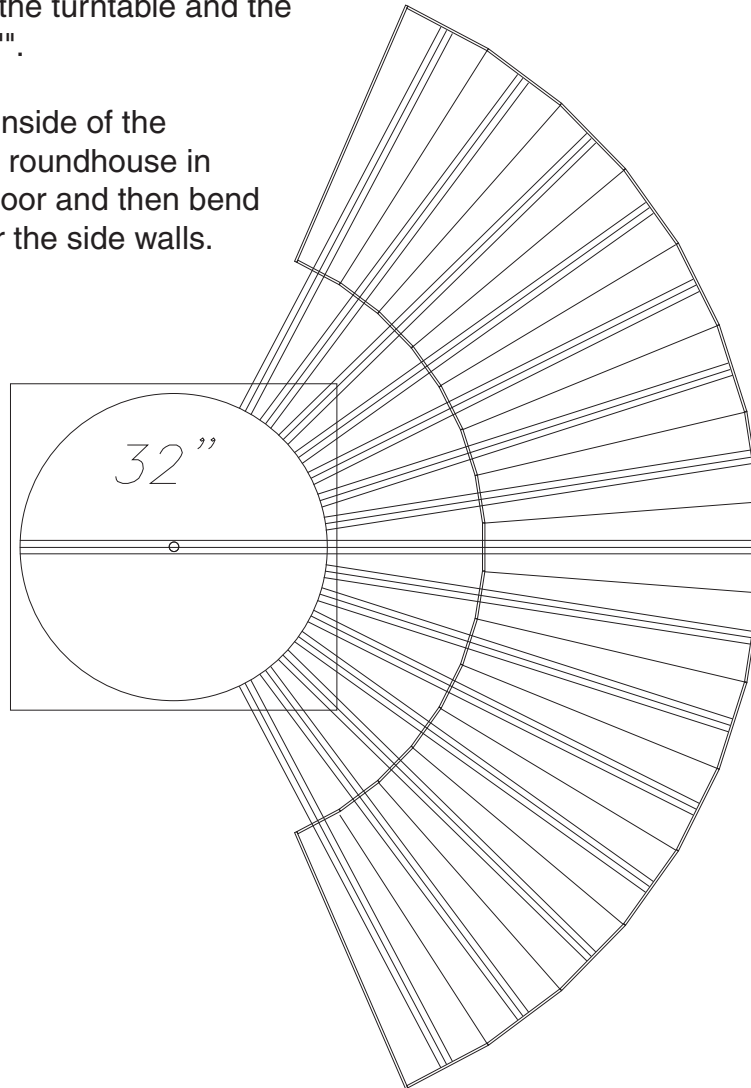
**Space requirements for
Bowser 32" Turntable
with Korber #304 Roundhouse.**

**16 3/8" between Roundhouse
and Turntable**
This allows the use of straight
track to the back wall of the
roundhouse.

All tracks should enter the roundhouse
in the center of the stall door.

These drawings show different stalls configurations.
The distance between the turntable and the
roundhouse is 16 3/16".

You can use flex track inside of the
roundhouse. Enter the roundhouse in
the center of the stall door and then bend
the track a little to clear the side walls.



16 3/16" spacing between Turntable and Roundhouse